

MAKING THE TIMBER-FRAME

PREPARE THE CROSS PIECES

LOOK AT THE PREVIOUS PAGE! THERE ARE DIFFERENT CROSS PIECES

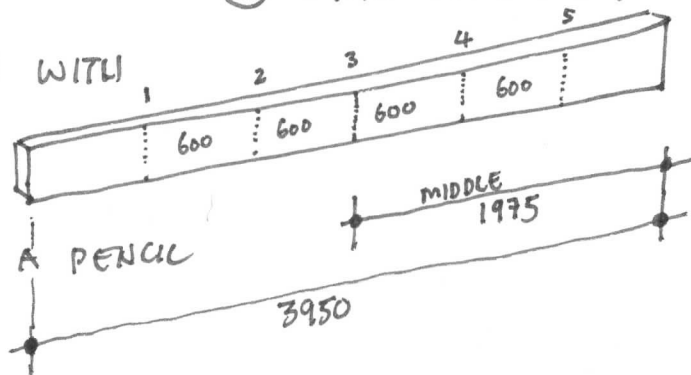
TAKE A CROSS PIECE (E)

- ENDS HAVE NO JOIST HANGERS
- CENTRE PIECE IN LIVING AREA HAS NO JOIST HANGERS
- THE OTHERS DO!

FOR THE ONES WITH HANGERS

(12 No.)

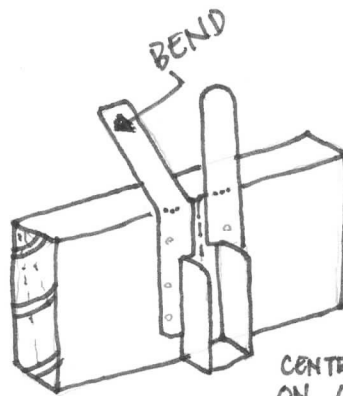
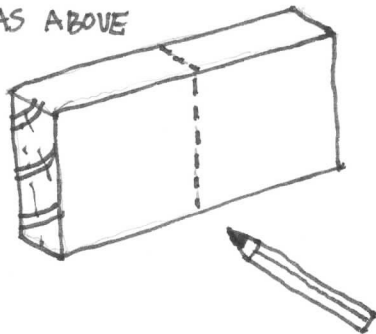
MARK OUT WITH A PENCIL



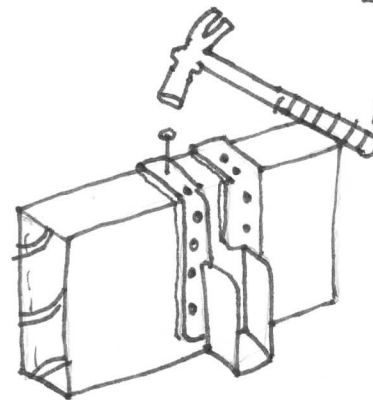
AT THIS POINT YOU JUST FIX THESE 5 JOIST HANGERS TO EACH PIECE.

USE 'SPEEDY JOIST HANGERS' BY BAT METALWORK LTD, LIMERICK SIZE TO SUIT 225mm x 44mm JOISTS

MARK OUT AS ABOVE



CENTRE HANGER ON LINE. BOTTOM OF SHOE IN LINE WITH BOTTOM OF JOIST



NAIL IN POSITION
FILL ALL HOLES!