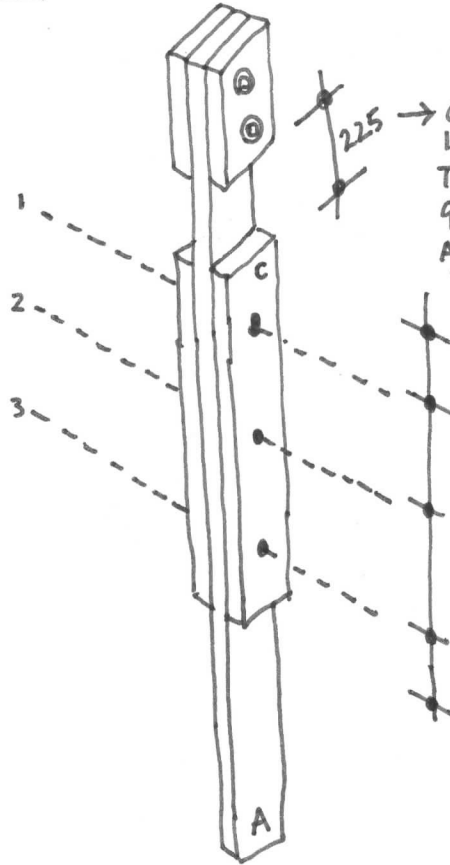


# MAKING THE TIMBER-FRAME

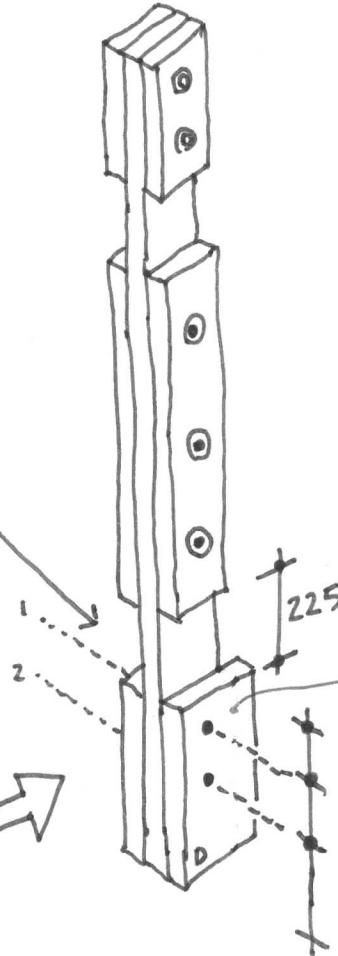
MAKING THE COLUMNS 2

REPEAT STEPS FOR  
PIECES C - THIS  
TIME WITH THREE  
BOLTS



→ CHECK THIS DIMENSION,  
IT HAS TO SUIT  
THE ~~WALL~~ BEAMS, SO  
GET AN ACTUAL BEAM  
AND USE IT AS A  
TEMPLATE

REPEAT STEPS  
FOR PIECES D,  
TWO BOLTS THIS  
TIME



ATTN!  
PART D  
KICKS OUT  
TO SUPPORT  
FLOOR EDGES  
THAT IS  
WHY IT IS  
225MM NOT  
175MM.

**THEN** → DO THIS FOR EACH OF THE TEN COLUMNS!