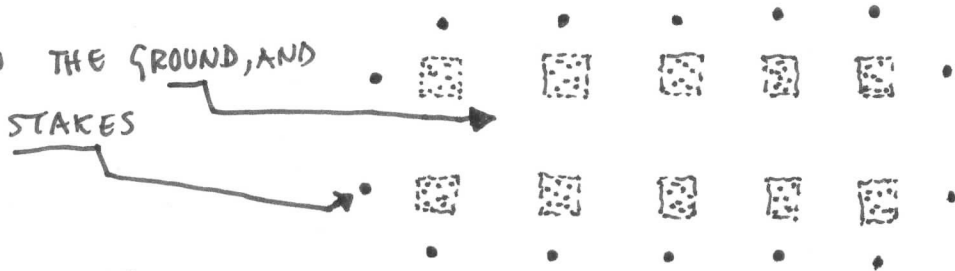


# FOUNDATIONS DIGGING + POURING

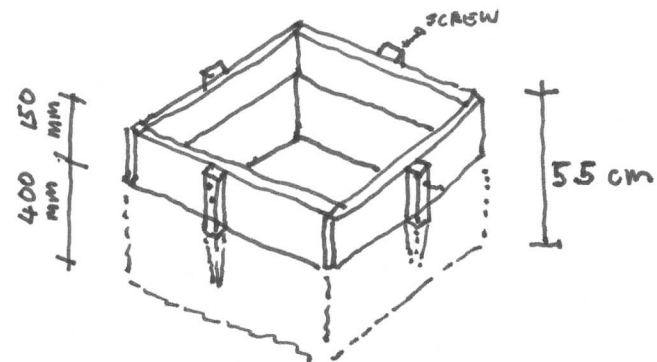
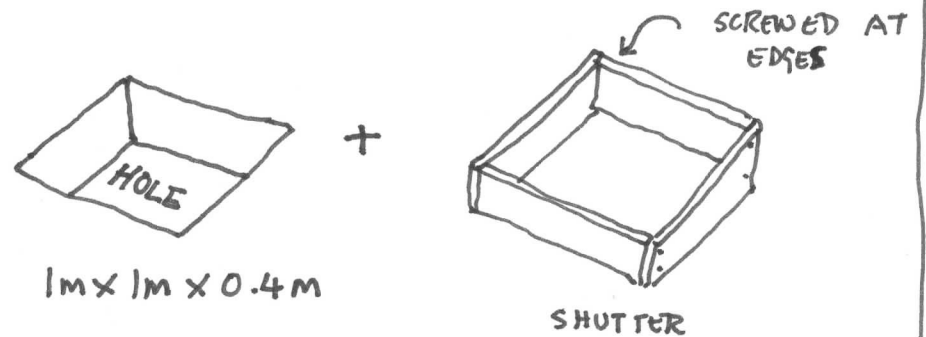
YOU NOW HAVE A DRAWING ON THE GROUND, AND SOME STRATEGICALLY PLACED STAKES



THE DIGGER DRIVER CAN NOW DIG OUT THE FOUNDATION PADS TO THE REQUIRED DEPTH (0.4m UNLESS OTHERWISE ADVISED BY YOUR ENGINEER).

YOU NOW HAVE 10 HOLES. MAKE A TIMBER SURROUND TO EACH ONE - CALLED A SHUTTER

PLACE ON TOP OF EACH HOLE, AND SECURE WITH LITTLE STAKES SCREWED TO SHUTTER. FILL ANY GAPS WITH STONES OR SCRAP TIMBER, TO STOP THE PRECIOUS CONCRETE FROM LEAKING OUT.



\* USE A SPIRIT LEVEL TO CHECK EACH ONE IS LEVEL. THEY DO NOT ALL HAVE TO BE LEVEL WITH ONE ANOTHER THOUGH!