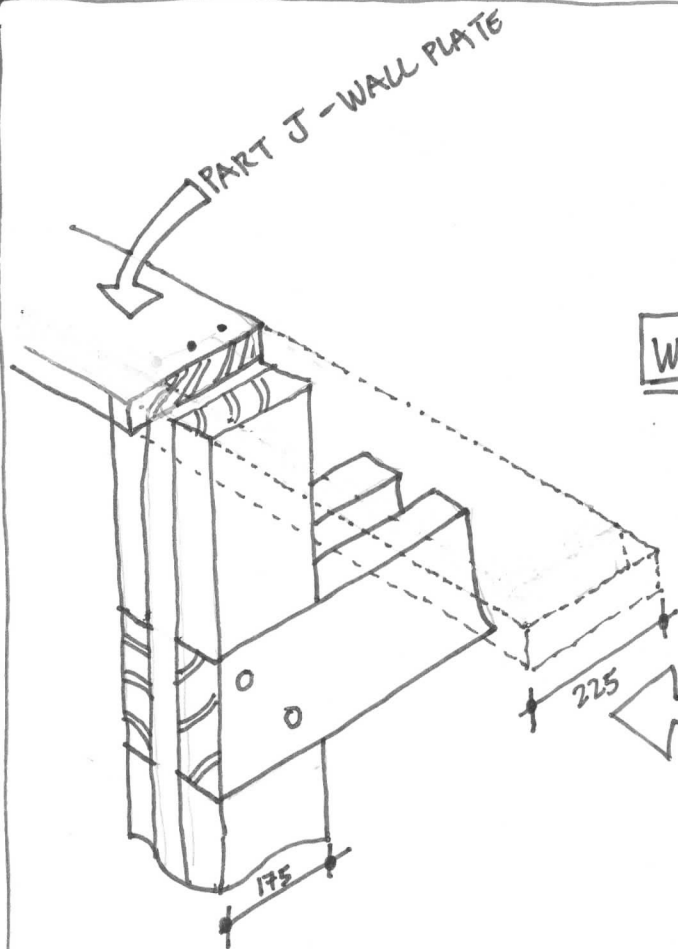


ERECTING THE FRAME

WALL PLATE (PART J)

FIT THIS TO THE TOP OF THE COLUMNS, CENTRE TO CENTRE
NAIL OR SCREW IT DOWN SECURELY.

YOU FIT IT DOWN THE TWO LONG SIDES, NOT THE ENDS.
IT STICKS OUT 50MM AS SHOWN.



- NOW YOU ARE READY TO FIT THE WALL STRUTS
- THEY ARE FITTED AT 600 CENTRES. THE PANEC VENT RACKING WILL BE FIXED TO THEM AND IT COMES IN METRIC SHEETS 1200x2400.