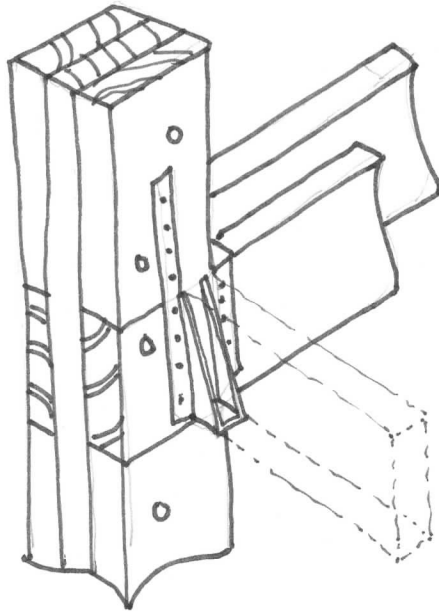
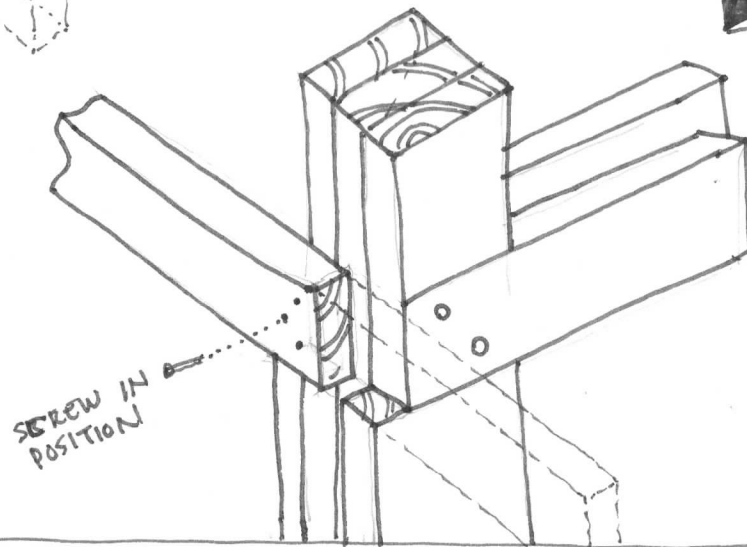


ERECTING THE FRAME



← ADD ON THE EXTRA FLOOR JOISTS AROUND THE EDGE. AS PER SKETCH, ONE SIDE WRAPS OVER AS NORMAL, THE OTHER IS NAILED UP THE COLUMN, USE STRONGER, LONGER NAILS FOR THIS BIT. SLOT THE JOISTS IN AS ELSEWHERE.



← NEXT ADD PART 9 PIECES DOWN THE TWO LONG SIDES. THEY REST ON THE LITTLE SHELF AND ARE SECURELY SCREWED INTO THE COLUMN