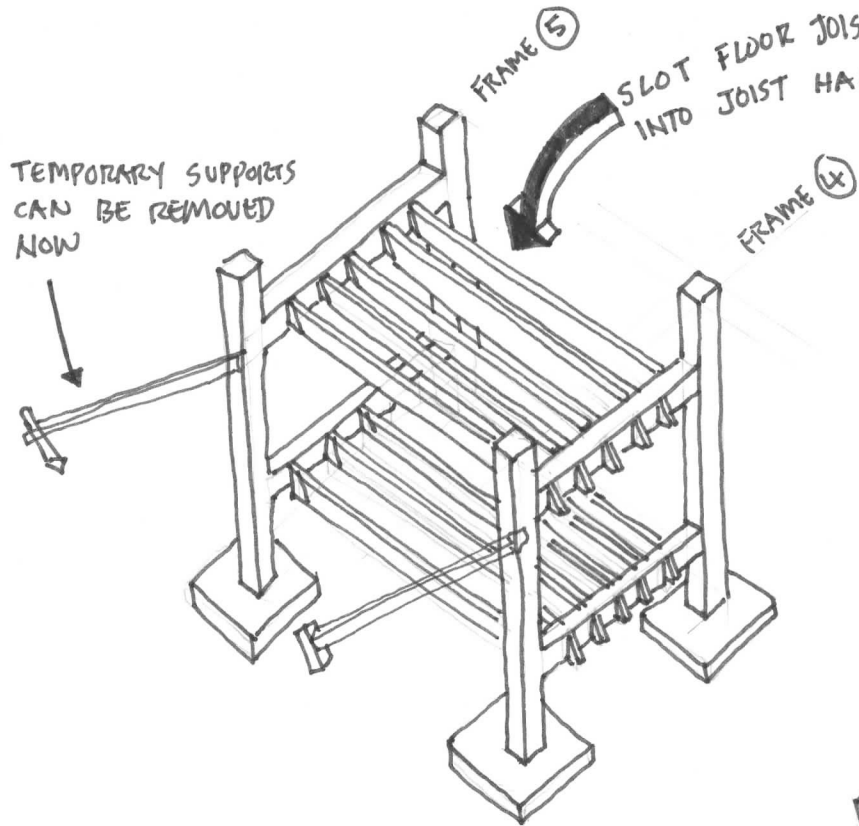
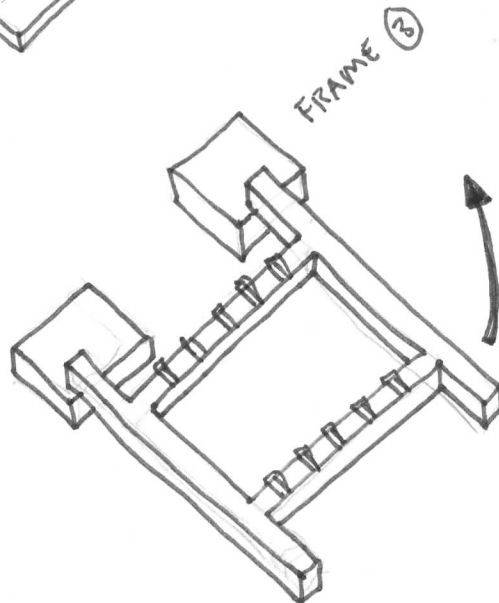


ERECTING THE FRAME



CHECK ALL IS PLUMB AND STRAIGHT.
NAIL IN POSITION.

THE FRAME WILL BE A BIT WOBBLY
UNTIL THE PANELMENT IS FIXED ON
DON'T WORRY, BUT DON'T LEAN ON IT
TO MUCH!



NEXT REPEAT THESE STEPS
FOR ALL FRAMES!