

MAKING THE TIMBER-FRAME

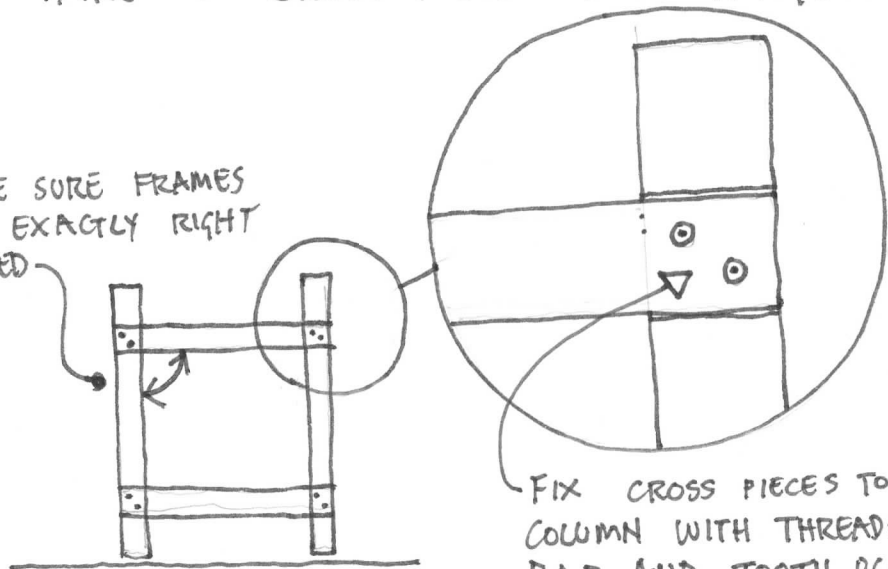
ASSEMBLING THE FRAMES

START WITH FRAME NO. ①

- TAKE 2 COLUMNS - CHECK THE LENGTH IS CORRECT FOR THE POSITION (IF COLUMNS ARE DIFFERENT LENGTHS)
- TAKE 3 CROSS PIECES WITH NO HANGERS
- TAKE 1 CROSS PIECE WITH HANGER

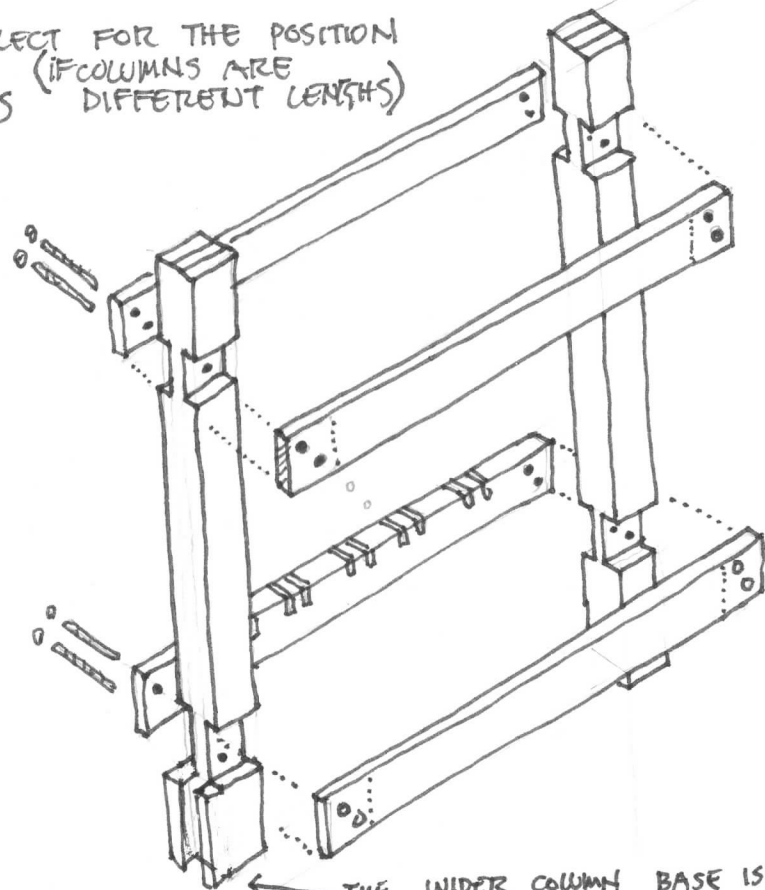
THEN → REPEAT FOR EACH FRAME
STACK ONE ON TOP OF ANOTHER
AS YOU GO.

MAKE SURE FRAMES
ARE EXACTLY RIGHT
ANGLED



FIX CROSS PIECES TO
COLUMN WITH THREADED
BAR AND TOOTH PLATE
CONNECTORS AS PER
THE COLUMN METHOD.

* DO THIS FLAT ON THE GROUND!



← THE WIDER COLUMN BASE IS TO THE
OUTSIDE