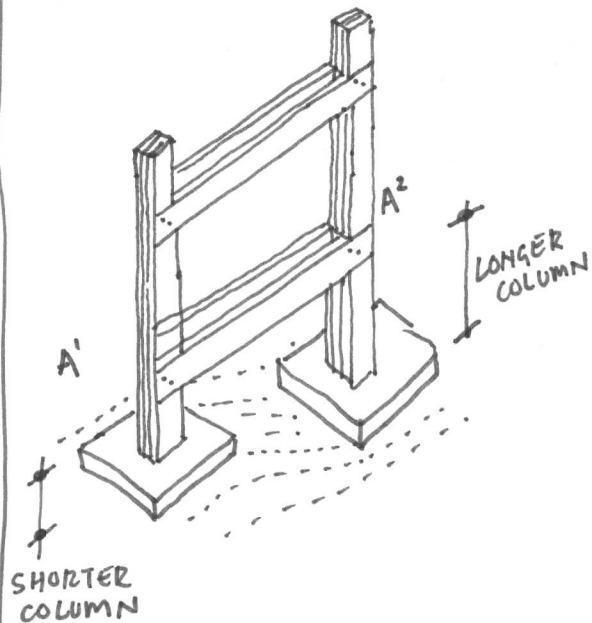


# TIMBER FRAME

## CALCULATING COLUMN LENGTHS

BECAUSE EACH FOUNDATION PAD IS A DIFFERENT LEVEL EACH COLUMN WILL BE A DIFFERENT HEIGHT TO COMPENSATE, SEE DRAWING BELOW: (EXAGGERATED FOR CLARITY).



THE SHORTEST COLUMN OF ALL 10 COLUMNS SHOULD BE 300MM LONG, THE REST SHOULD BE THE RIGHT LENGTH TO KEEP EVERYTHING LEVEL, SO  $300\text{mm} + x, y \text{ OR } z \text{ ETC.}$

AS WITH EVERYTHING ELSE IN THESE INSTRUCTIONS, GIVE YOURSELF TIME TO UNDERSTAND THE LOGIC OF WHAT IS GOING ON!

THE SHORTEST COLUMN WILL BE THE ONE THAT SITS ON THE HIGHEST FOUNDATION PAD!

### NOTE:

THE REASON THAT WE DO IT LIKE THIS IS THAT IT IS EASIER AND MORE NATURAL NOT TO LEVEL THE SITE. IT IS TRICKY TO ~~USE~~ KEEP ALL CONCRETE PADS AT THE SAME LEVEL, WHILE IT IS EASY TO CUT EACH COLUMN A SLIGHTLY DIFFERENT LENGTH.