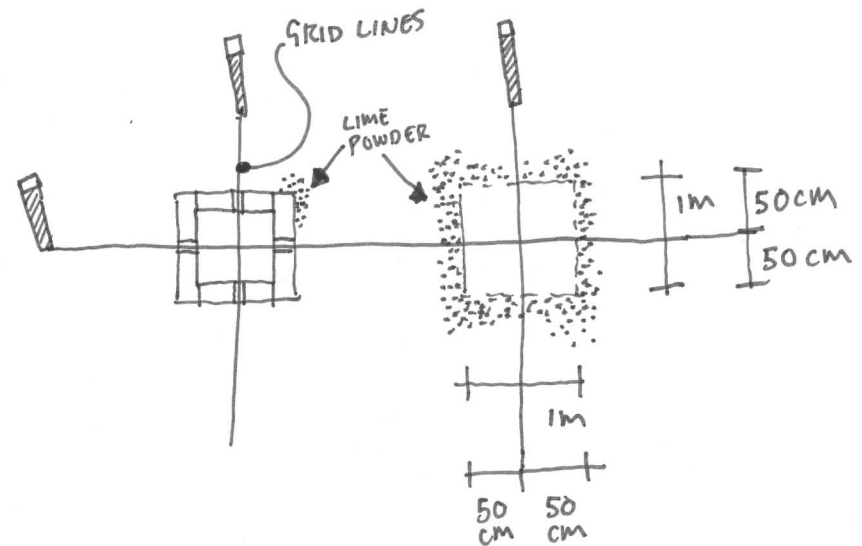
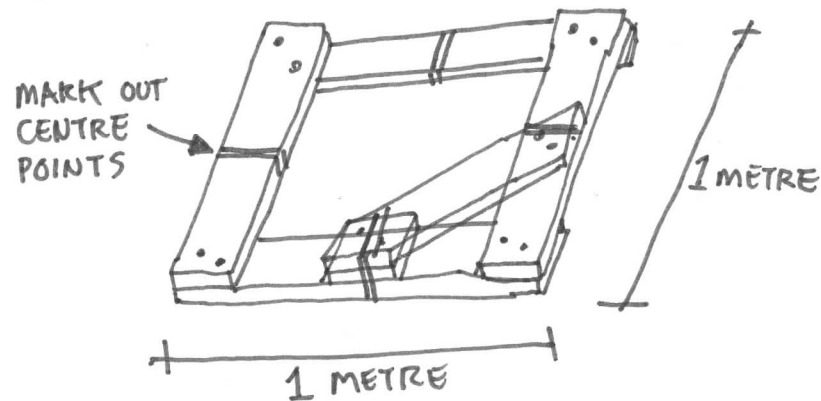


# FOUNDATIONS

SETTING OUT, CONTINUED

- NEXT YOU MAKE A TEMPLATE FOR THE FOUNDATION SHAPE. YOU USE FIVE PIECES OF THE 1M TIMBERS. FOUR AT THE EDGES AND ONE DIAGONAL TO KEEP IT SQUARE



- PLACE THE TEMPLATE ON THE CROSSINGS OF THE GRID LINES USING THE 'CENTRE POINT' MARKS ON THE TEMPLATE. THEN USE THE LIME TO MARK OUT THE FOUNDATIONS

**DONE!**